

CHEMICAL TRANSFER PUMP

Description

Braude Self Priming Chemical Transfer Pump

Braude chemical pumps are designed for pumping corrosive chemicals such as hydrochloric, hydrofluoric, nitric and sulphuric acids. The pumps are constructed from high integrity polymers which have high chemical and impact resistance.

The pump has an integral self priming chamber increasing ease of use and suction lift up to 3.5m making it ideal for emptying settlement tanks.

Flow rates to 35m³/hr up to 17m head

Key features

- Integral Self priming chamber
- Lightweight and robust
- Operating temperature up to 100°C
- Corrosion and stain resistant
- High flow rate - up to 35m³/hr
- High efficiency closed impeller
- Choice of mechanical seals to suit application
- Easy maintenance
- Leak proof union connections with adaptors available for existing BSP

Used By

- Steel Strip Manufacturers
- Wire & Tube Manufacturers
- Metal Finishers
- Chemical Plants
- Galvanising Industry
- Aerospace Industry
- Chemical Millers
- Glass Producers



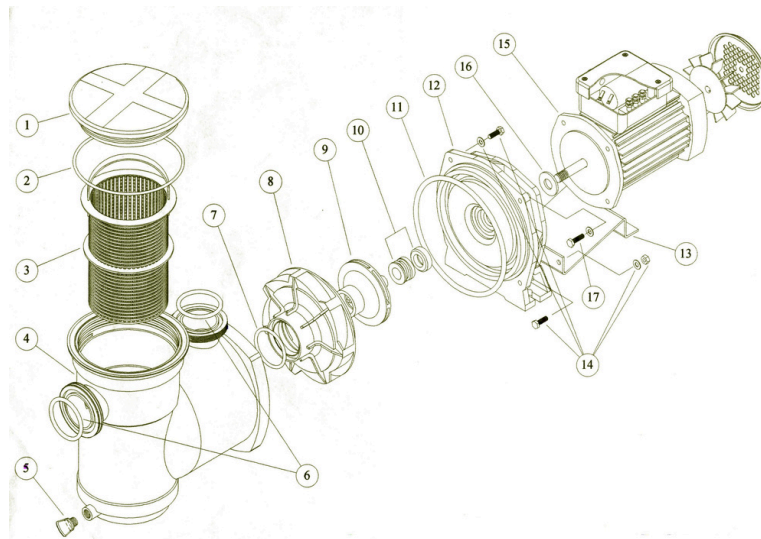
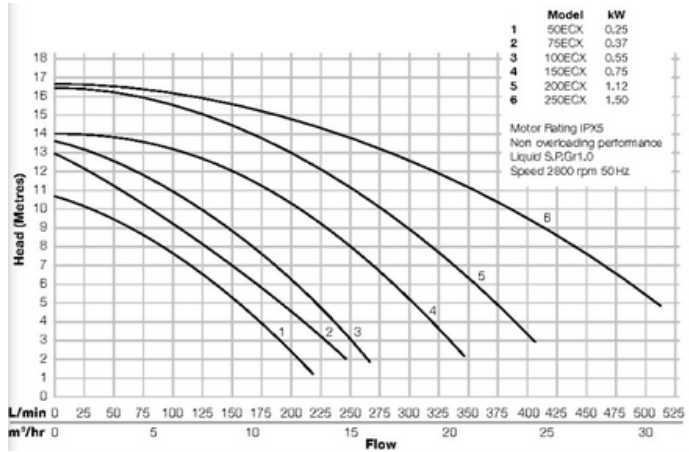
BRAUDE Products will not corrode

CHEMICAL TRANSFER PUMP

TECHNICAL SPECIFICATION

Model	Hp/kw	Max Head	Flow at 10m head m ³ /hr	Total Dynamic Head	Max Suction Lift	Weight (kg) Single Phase	Three Phase	Length (mm) Single Phase	Three Phase	Rated Current At 230V	400V
J50ECX	0.33/0.25	10.8M	1.7	12.5M	2.9M	10.7	10.2	548	548	2.3A	0.8A
J75ECX	0.5/0.37	3.0M	5.1	15.9M	2.6M	10.8	10.25	548	548	2.7A	1A
J100ECX	0.75/0.55	13.6M	7.5	17.25M	3M	13.55	12.5	548	545	3.2A	1.1A
J150ECX	1/0.75	14.0M	12.6	18.25M	2.7M	15.0	14.0	578	578	3.5A	1.8A
J200ECX	1.5/1.12	18.6M	16.8	19.8M	3.5M	16.5	15.0	578	575	5.7A	2.4A
J250ECX	2/1.5	18.8M	23.2	19.8M	3.5M	20.0	19.0	578	582	7.5A	3.4A

Connections Inlet and Outlet	2 x 63mm Union (2 3/4" BSP Treaded)
Minimum Pipe size Always use PVC or PP	63mm OD 50mm ID
Max solution pumping Temperature	100 Deg C
Width 198mm Height 295mm	Motor speed 2800 rpm



The Braude Self Priming Pump is reliable, and easy to maintain. We hold a large stock of spare parts and all pumps are supplied with clear installation, operating and maintenance instructions, and Braude technical staff are always available to offer advice.